



Diaphragm Pump 22 Series

Features & Benefits

- Positive displacement pump
- Can run dry
- Quiet operation
- Available demand and bypass
- Industry standard mount pattern

Typical Applications

- Marine/RV
- Water Treatment/RO
- Beverage/Food Service
- Distillation Equipment
- Agricultural Spraying
- General Industrial
- Automotive

PUMP

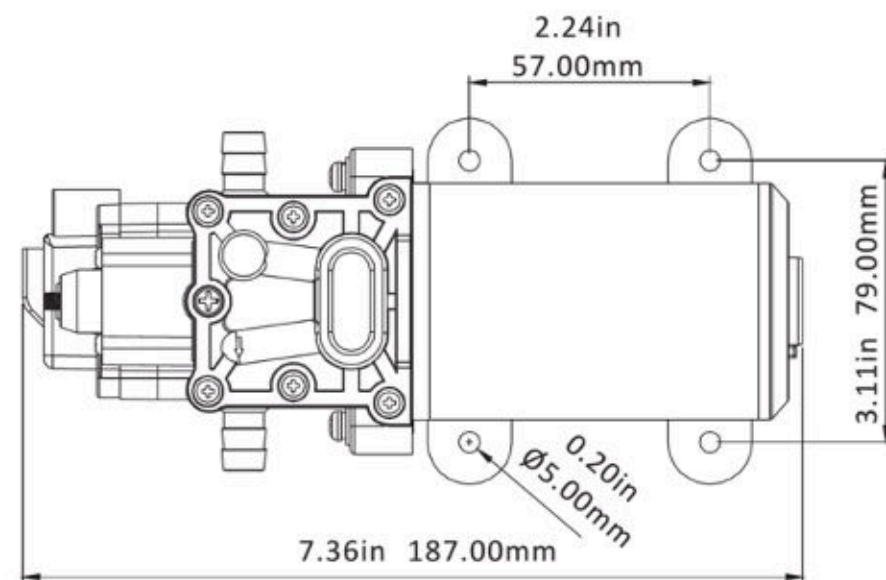
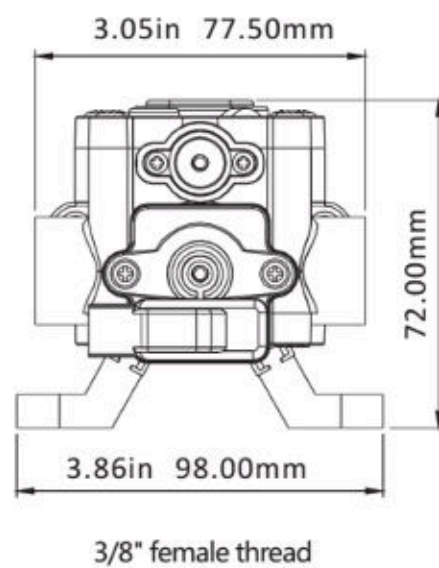
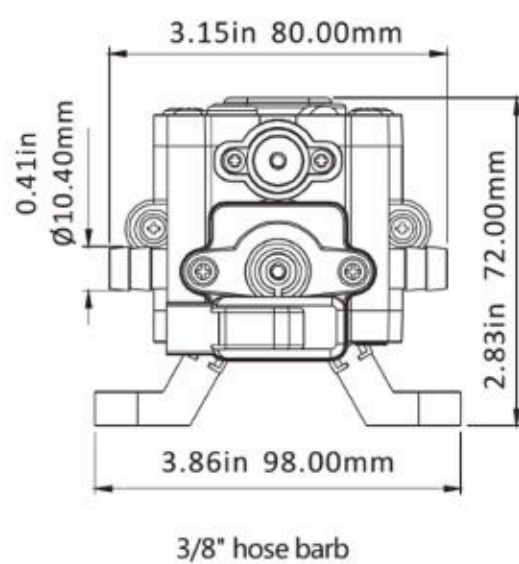
- Type**
2 Chamber positive displacement diaphragm pump, self priming, capable of being run dry
- Mode**
demand or bypass
- Liquid Temperature**
140°F (60°C) Max.
- Priming Capabilities**
6 feet (1.8 m) suction lift
- Max Pressure**
100 PSI (6.9 bar)

Inlet/Outlet Ports

- 3/8" hose barb
- Weight**
2.6 lbs (1.18 kg)

MOTOR

- Duty Cycle**
Intermittent
- Leads**
18 AWG, 9.84" long with 2-Pin connector/Leads
- Voltage**
12v/24v



STANDARD PUMP CONFIGURATIONS

Model	Switch	GPM/LPM	PSI/BAR	Max Draw(A)	Valves Viton	Diaphragm	Ports	Voltage	Wire Connections
SFDP1-013-100-22	Demand	1.3/5.0	100/6.9	5.0	EPDM	Santoprene	3/8" Barb	12V	2-Pin/Leads